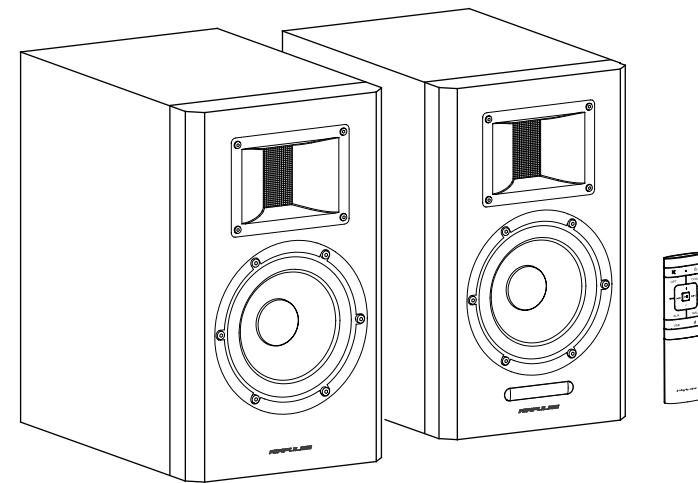


AIRPULSE



Dongguan Platinum Audio Systems Co., LTD
No. 2 East Industry Road, Songshan Lake National High-tech
Industrial Development Zone, Dongguan 523808 China
www.airpulseaudio.com

Printed in China

A300

Active Speaker System

User manual | Mode d'emploi

Important safety instruction

Please read the following contents carefully before turning on your equipment; and follow the instructions below. Keep this information around for future reference.

1. Before connecting speakers to power source, please turn off the power switch and make sure the volume is set at minimum level.
2. Please do not place power cable and signal cable near heat source (such as electric heater and radiator). Do not leave cables where they can easily be stepped on or compressed.
3. Use electric outlets that allow power cable be pulled out easily. When speakers are not being used for an extended period of time, please turn off power switch and disconnect power plug.
4. In order to avoid damage from thunder and lightning, turn off power switch and disconnect speaker from power source during a rain storm.
5. Please do not drag power cord when disconnecting from wall socket. Hold power cord firmly at the top to unplug from the wall socket.
6. Use the speakers only within voltage specifications. Using the speakers with voltage higher than specifications is dangerous and can cause equipment damage, fire damage or bodily injury.
7. These speakers do not include any self serviceable parts. Do not attempt to open the speaker to uninstall any parts or do any type of modifications. If problems occur during use please contact professional technicians only for repair.
8. Please refer to the trouble shooting section in owner's manual for common operation errors and to determine possible malfunction.
9. Please do not place speakers in places where they can be easily hit by falling objects or dropping and splashing liquid. Do not place any lit fire (such as candle) on top of speaker as this may lead to fire hazard. Do not place any liquid containers on top of speaker as this may fall on speakers and causing electric shock and damage to speaker.
10. Place speakers in a stable position so they will not easily fall off causing damage and injury.
11. Place speakers in a well ventilated and dry position, far from direct sunlight, heat source, vibration, dust, moist or extremely cold condition. For optimal performance, please leave at least 20 cm distance space around the speaker.
12. Please do not use speaker at maximum volume for an extended period of time, This may cause damage to your hearing.
13. Before moving the speakers, please first turn off power switch and disconnect from power source.
14. When the following symptoms occur, please turn off power switch and disconnect from power source:
 - Power cable or plug is worn or damaged.
 - Abnormal odor or smoke is detected.
 - Small objects falling inside the speaker.
 - Sudden break off while playing music.Consult a professional repair technician to diagnose and repair the speaker.
15. Do not use chemical solvent to clean the surface of speaker. To avoid surface damage, use a clean and soft cloth only.
16. Do not use the speakers in proximity closer than 22 cm to individuals wearing cardiac pacemaker or defibrillator.

Warning:

1. Use the same type of battery only to replace battery in remote control.
2. Never disassemble, smash, or compress battery inside remote control; or toss it into a fire.
3. Please stop using the remote control if it has the appearance of bulging, leaking, discoloring or any other abnormal symptoms. Improper use of battery can cause explosion or leaking which leads to burn or other bodily injury. Please dispose battery by referring to local legislation.



Excessively loud music may lead to hearing loss. Please keep the volume in a safe range.



Correct Disposal of this product. This marking indicates that this product should not be disposed with other household wastes throughout the EU. To prevent possible harm to the environment or human health from uncontrolled waste disposal, recycle it responsibly to promote the sustainable reuse of material resources. To return your used device, please use the return and collection systems or contact the retailer where the product was purchased. They can take this product for environmental safe recycling.



Use only with the cart, stand, tripod, bracket, or table specified by the manufacturer, or sold with the speakers. When a cart is used, use caution when moving the cart/speakers combination to avoid injury from tip-over.

Power warning:

1. Place the product near the power outlet for easy use.
2. Before use, make sure that the operating voltage is the same as your local power supply. Correct operating voltage can be found on the product plate.
3. For safety purpose, unplug the product during lightning storms or when unused for extended periods of time.
4. Under normal conditions, the power supply may get hot. Please keep good ventilation in the area and exercise caution.
5. Safety warning labels on the housing or bottom of the product or power adaptor.

Important safety instruction



This symbol is to alert the user to the presence of un-insulated dangerous voltage within the product's enclosure that may be of sufficient magnitude to constitute a risk of electric shock to persons.



This symbol is to warn the user not to disassemble the enclosure of the product and there is no user-replaceable part inside. Take the product to an authorized service center for repair.



This symbol indicates that the product is for indoor use only.

WARNING! The unit is of Class I construction and must be connected to a mains socket outlet with a protective earthing connection. Where the mains plug is used as the disconnect device, the disconnect device shall remain readily operable.

For wireless product:

1. Wireless product may generate shortwave radio frequencies and interfere with the normal use of other electronic devices or medical equipment.
2. Turn off the product when it's disallowed. Do not use the product in medical facilities, on airplane, at gas stations, near automatic gates, automatic fire alarm system or other automated devices.
3. Do not use the product in the vicinity of a pacemaker within a 20cm range. The radio waves may affect the normal operation of the pacemaker or other medical devices.

FCC Statement

This device complies with part 15 of the FCC Rules. Operation is subject to the following two conditions:

- (1) This device may not cause harmful interference, and
 - (2) This device must accept any interference received, including interference that may cause undesired operation.
- Any Changes or modifications not expressly approved by the party responsible for compliance could void the user's authority to operate the equipment.

Note: This equipment has been tested and found to comply with the limits for a Class B digital device, pursuant to part 15 of the FCC Rules. These limits are designed to provide reasonable protection against harmful interference in a residential installation.

This equipment generates uses and can radiate radio frequency energy and, if not installed and used in accordance with the instructions, may cause harmful interference to radio communications. However, there is no guarantee that interference will not occur in a particular installation. If this equipment does cause harmful interference to radio or television reception, which can be determined by turning the equipment off and on, the user is encouraged to try to correct the interference by one or more of the following measures:

- Reorient or relocate the receiving antenna.
- Increase the separation between the equipment and receiver.
- Connect the equipment into an outlet on a circuit different from that to which the receiver is connected.
- Consult the dealer or an experienced radio/TV technician for help.

This equipment complies with FCC radiation exposure limits set forth for an uncontrolled environment. This equipment should be installed and operated with minimum distance 20cm between the radiator & your body.

IC Caution

The device meets the exemption from the routine evaluation limits in section 2.5 of RSS 102 and compliance with RSS-102 RF exposure, users can obtain Canadian information on RF exposure and compliance. This device complies with Industry Canada licence-exempt RSS standard(s). Operation is subject to the following two conditions:

- (1) This device may not cause interference, and
- (2) This device must accept any interference, including interference that may cause undesired operation of the device.

This equipment should be installed and operated with a minimum distance of 20 cm between the radiator and your body.

Le dispositif rencontre l'exemption des limites courantes d'évaluation dans la section 2.5 de RSS102 et la conformité à l'exposition

de RSS-102 rf, utilisateurs peut obtenir l'information canadienne sur l'exposition et la conformité de rf. Le present appareil est conforme aux CNR d'Industrie Canada applicables aux appareils radio exempts de licence.

L'exploitation est autorisée aux deux conditions suivantes:

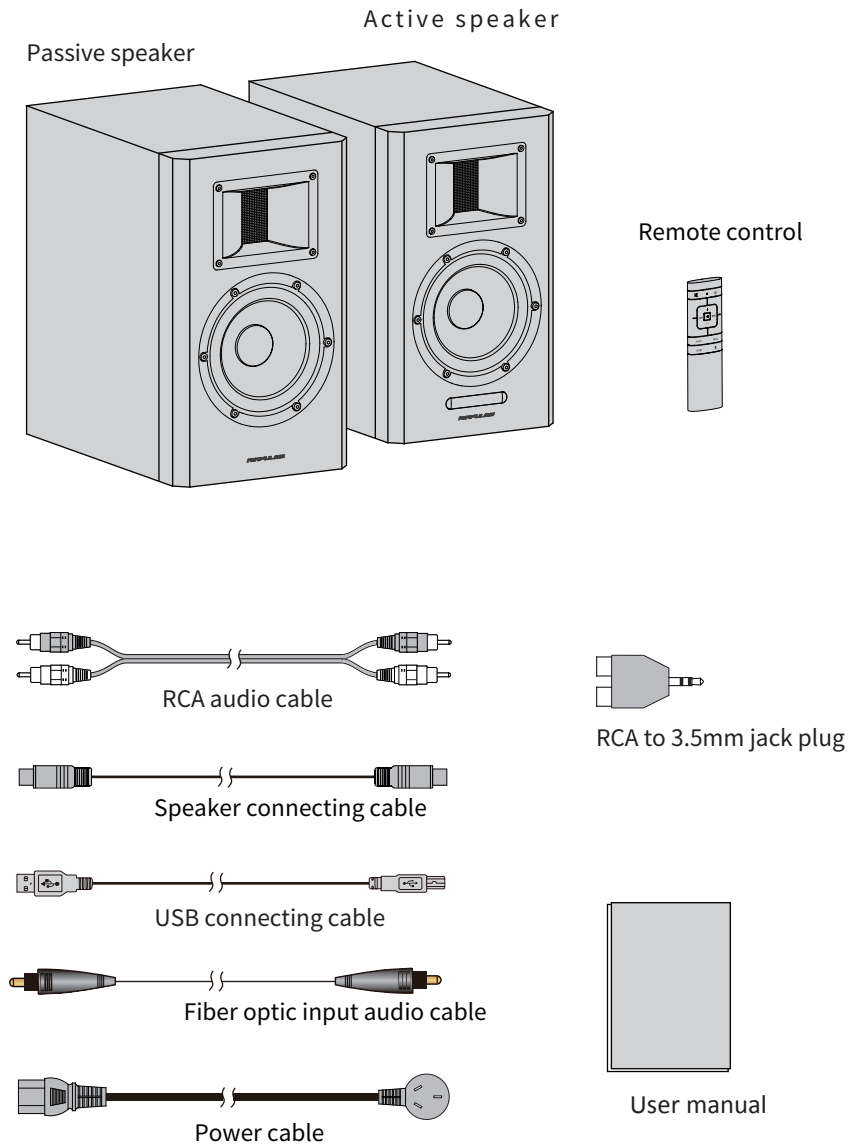
- (1) l'appareil ne doit pas produire de brouillage, et
- (2) l'utilisateur de l'appareil doit accepter tout brouillage radioélectrique subi, même si le brouillage est susceptible d'en compromettre le fonctionnement.

Cet équipement doit être installé et utilisé à une distance minimale de 20 cm entre le radiateur et votre corps.

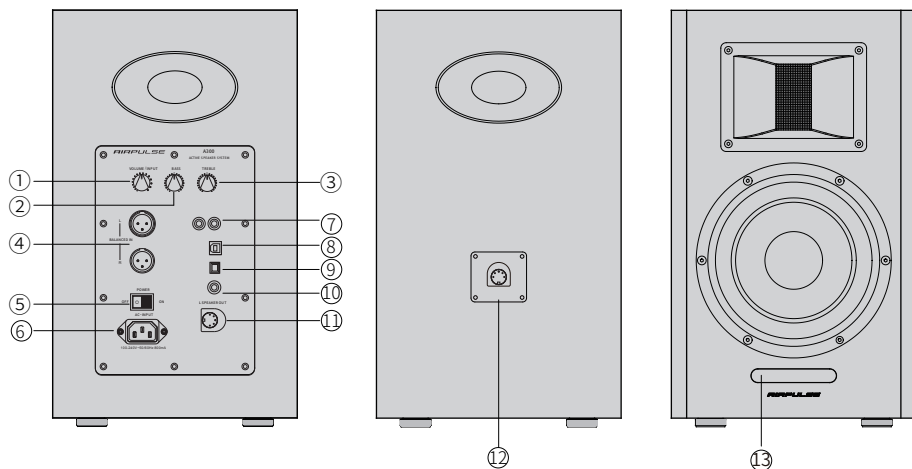
Catalog

Box Contents	4
Speaker Illustration	5
Remote Control Illustration	6
Installing Battery in Remote Control	7
Preparations	
Connect speakers	8
Connect to playback devices	8
Connect to power source	9
Speaker Placement	9
Turn on main power	9
Playing	
Play music via balanced output	10
Play music via Line in output	11
Play music via USB output	12
1. Install the special driver	13
2. Set this product as the audio output device of PC	13-14
3. Play music on the PC	14
Play music via optical/coaxial output	15
Play music via Bluetooth	16
Specifications/statement	17
Troubleshooting	18

Box Contents



Speaker Illustration



1. Volume control/input selection

Volume control

Rotate clockwise to increase volume; rotate counter clockwise to reduce volume.

When reaching maximum volume level, continue to rotate volume control will not change volume.

Input selection

Press to switch between BAL – AUX – USB – Optical – Coaxial – Bluetooth modes.

(As DSP will be reconfigured when input mode is switched, it is recommended to press after the current mode indicator flashes once.)

Standby control

Press and hold to alternate between Power on and Stand by mode

2. Bass level adjust

Room acoustics may dictate which type of adjustment you need to make to retain the proper frequency response from the speaker. Turn from “0” to left to reduce low frequencies; Turn from “0” to right to increase low frequencies.

3. Treble level adjust

Room acoustics may dictate which type of adjustment you need to make to retain the proper frequency response from the speaker. Turn from “0” to left to reduce high frequencies; Turn from “0” to right to increase high frequencies.

4. Balanced input port

Connect to audio source devices with balanced output using XLR cable

5. Power switch

Power on/off speaker power

6. AC input

Connect to plug of power cord

7. Auxiliary input port

Connect to audio source devices with RCA output port using RCA audio cable.

8. USB B type port

Connect to audio source devices with USB output port using USB connecting cable.

9. Optical input port

Connect to audio source devices with optical output port using fiber optic input audio cable

10. Coaxial input port

Connect to audio source devices with coaxial output port using coaxial cable

11. Passive speaker connector

Connect to passive speaker using speaker connecting cable

12. Active speaker connector

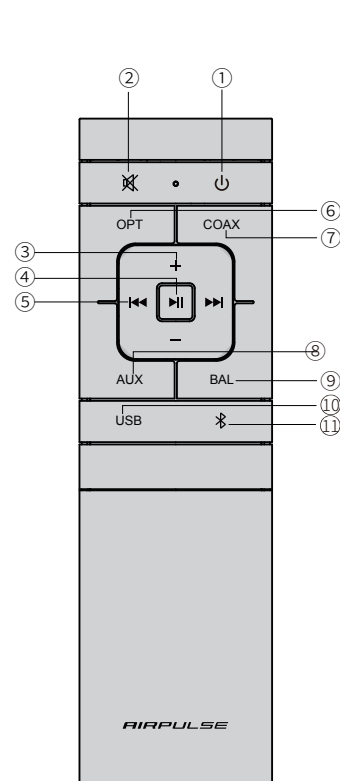
Connect to active speaker using speaker connecting cable

13. LED indicator/remote control receiving window

Indicates current input mode based on audio sources and input selection.

Note: Bass and Treble trimmers are automatically bypassed in default when system is taking signal from balanced input ports, thus to avoid changes to the input signal.

Remote Control Illustration



① Standby button

When powered on, press the “⏻” button to let the speaker enter standby mode. Displayed value of remote control receiving window on the active speaker will disappear but internal power is still being connected. Re-press the “⏻” button or press the “volume control/input selection” knob on the rear panel of the active speaker to power on the speaker again.

Press the “⏻” button on the rear panel to turn on/off the main power.

Volume control buttons

②	⏻ Mute	Mute off speaker output
③	+/- Volume up/down	Adjust playing volume

Playback selection buttons

④	⏮ Play/Pause	Audio source play/pause in Bluetooth/USB mode
⑤	⏪/⏩ Previous/Next track	Previous/next track in Bluetooth/USB mode

Input source selection buttons

⑥	OPT	Optical input mode
⑦	COAX	Coaxial input mode
⑧	AUX	AUX input mode
⑨	BAL	Balanced input mode
⑩	USB	USB input mode
⑪	⌘ (Bluetooth)	Bluetooth input mode



* When playing music in Bluetooth mode and switching to other modes, Bluetooth connection will automatically return if selecting Bluetooth mode again.

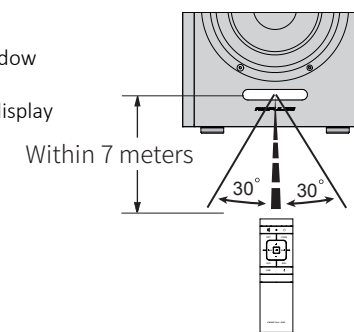
* When playing music in USB mode and switching to other modes, PC needs to be reset for USB mode to be selected again. Please refer to “Set this product as the audio output device of PC”.

How to operate remote control

Aim remote control at the remote control receiving window

The optimum operational distance is within 7 meters.

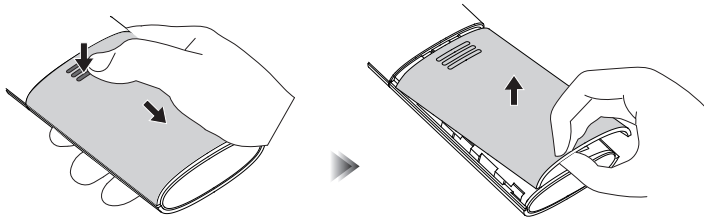
When the system receives remote control commands, display value of display window will alert or flash.



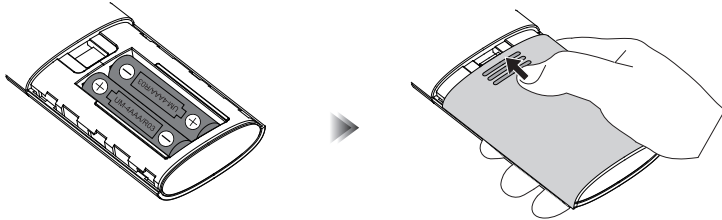
Installing Battery in Remote Control

Install or replace remote control battery

1. As the illustration shows, with thumb press down the slot of battery cover and slide to remove the cover



2. Place the two AAA batteries (note the "+" and "-" pole) into the remote control and close the battery cover.

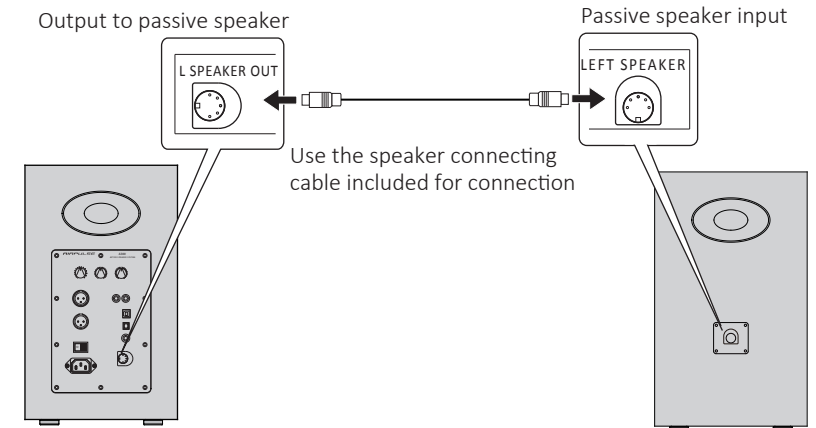


Note

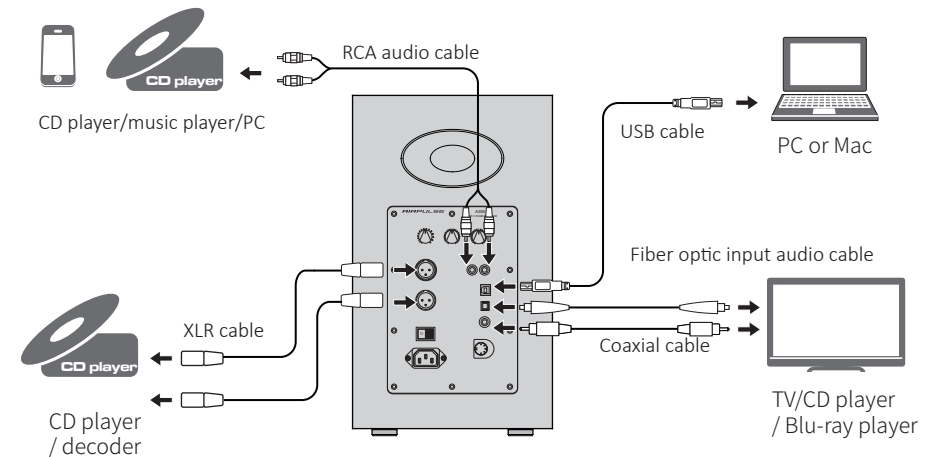
1. The battery life is normally about 6 months; please replace it when the remote control is not sensitive or the control distance to be shortened.
2. Remove the battery immediately when exhausted to avoid explosion or acid leaks.
3. Discard the battery immediately in the event of battery leakage, paying attention not to touch the leaking materials.
If leaking is in contact with skin or gets in eyes/mouth, rinse immediately and seek emergency treatment immediately. Please clean the battery compartment thoroughly prior to installing new battery.
4. Never use the remote control in conditions below:
 - Places with high humidity, e.g. a bathroom
 - Place with high temperature, e.g. near a heater or stove
 - Places with extremely low temperature
 - In dusty places
5. Never swallow the batteries in case of chemical burning risk.
6. Never mix old and new batteries. This will shorten new battery life or cause old battery leakage.
7. Remove the battery when unused for a long period of time to avoid battery leakage.
8. Never use this product when battery compartment is not securely closed, and keep the remote control away from children. Never let children touch the battery.
9. If the battery is accidentally swallowed, rush to hospital immediately.

Preparations

1. Connect speakers



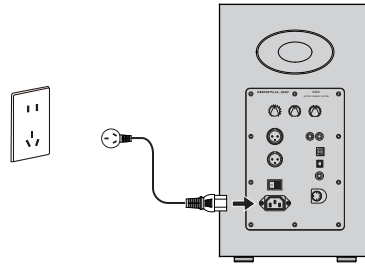
2. Connect to playback devices



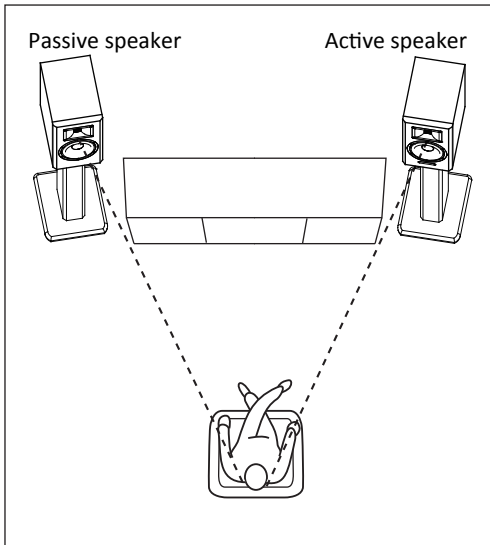
Preparations

3. Connect to power source

Connect the power cable included to power input port on the rear panel, and then insert power plug into wall outlet.

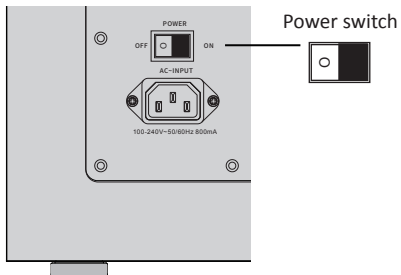


4. Speaker placement



- * Place the passive and active speaker on a solid, leveled and steady surface. For the optimum sound positioning and layering, using the special stands of A300 is recommended.
- * For the optimum stereo sound effect, the listener can slightly adjust speaker angel.
- * For the most accurate sound and balance, the listener should be in the axis of equilateral triangle formed by the active and passive speakers.
- * High frequency has a much higher directivity, and for more accurate sound effect the speaker's tweeter should be at ear level of the listener.

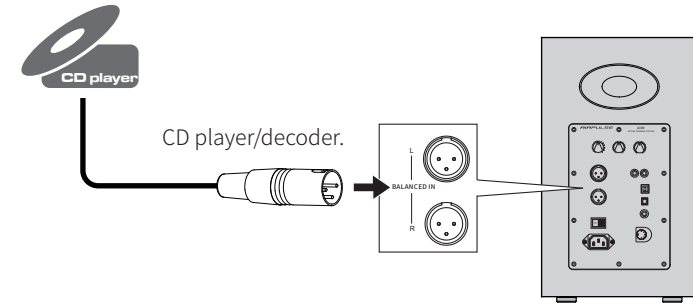
5. Turn on main power



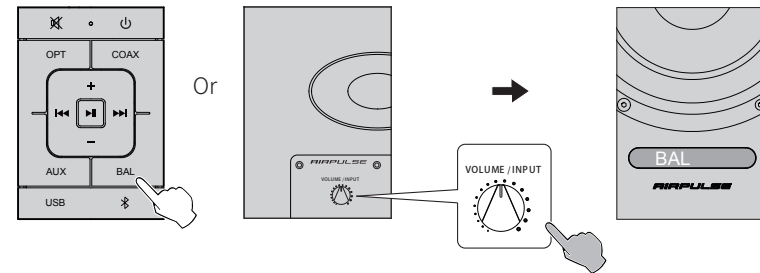
- * After all cables are connected securely, press power switch on the rear panel to turn on main power;
- * Press the "⏻" on the remote control to turn off power source or switch to standby state;
- * LED indicator will be lit to show current audio mode, please select the correct audio source with the corresponding connection.

Balanced Input Mode

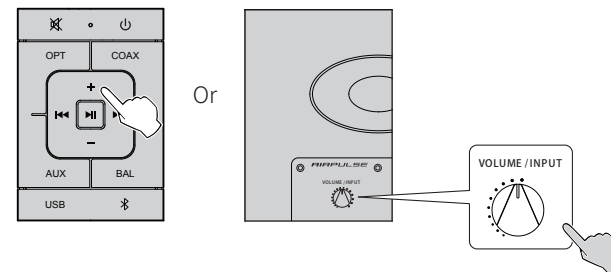
1. Connect to audio source devices with balanced output using XLR cable



2. Press the "BAL" button on the remote control or press the "VOLUME / INPUT" button on the rear panel of the active speaker to select BAL input mode, LED indicator on the active speaker will display "BAL".



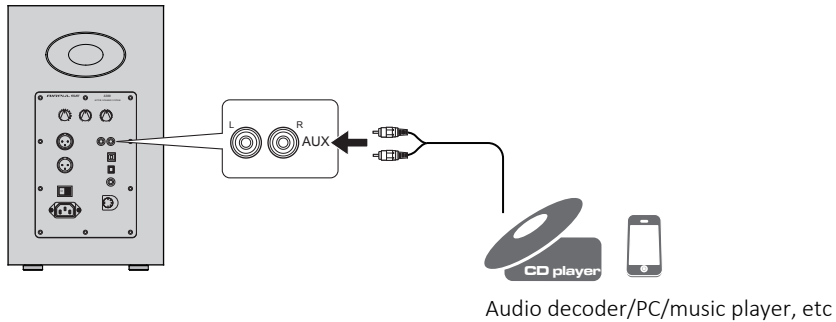
3. Play music on the connected device, press the "+/-" button on the remote control or press the "VOLUME / INPUT" button on the rear panel of the active speaker to adjust volume to a desired level.



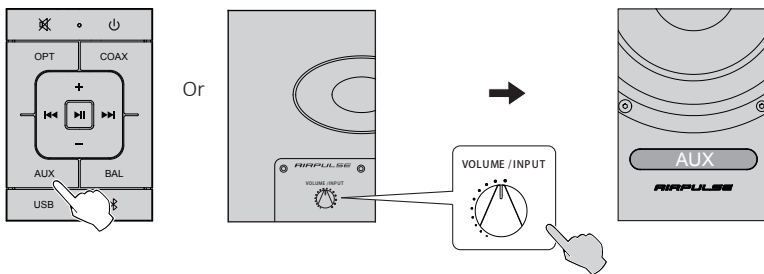
- * XLR type interface is widely used in professional audio equipments, XLR interface of A300 can be connected to playback devices with balanced output port.
- * Balanced connection can effectively eliminate noise from the outside, support long-distance line transmission, and reduce noise that may be picked up during transmission.
- * XLR cable is not included in this product.

AUX Input Mode

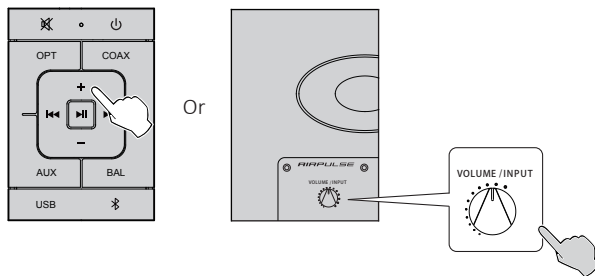
1. Connect AUX input port on the rear panel of the active speaker to audio source (CD player/ audio decoder/PC/music player/mobile phone) with RCA output port using RCA audio cable; (pay attention to color matching)



2. Press the "AUX" button on the remote control or press the "VOLUME / INPUT" button on the rear panel of the active speaker to select AUX input mode, LED indicator on the active speaker will display "AUX".



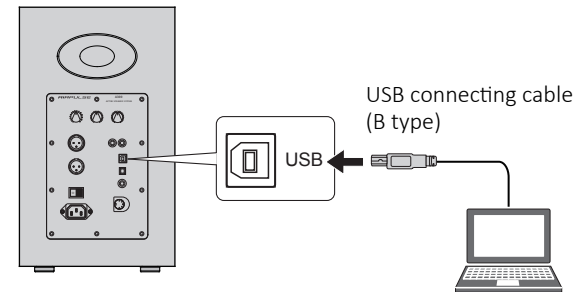
3. Play music on the connected device, press the "+/-" button on the remote control or press the "VOLUME / INPUT" button on the rear panel of the active speaker to adjust volume to a desired level.



When connecting to source devices with 3.5mm headphone jack, user can use the adapter plug included to transfer output.

USB Input Mode

USB interface chip in the A300 is a XMos chip commonly used by high-end audio equipments. After being connected to PC, USB interface will directly extract and play back digital audio signal in a manner similar to the "USB external sound card", to avoid sound degradation and dynamic range compression caused by digital-to-analog conversion of PC sound card, and to ensure the restoration of original sound quality.



- * PCM audio signals (44.1KHz/48KHz/96KHz/192KHz) only functions in USB mode.
- * If connecting the speakers to a PC, driver program must be installed first for system to perform properly.
- * USB driver in Mac operating system supports USB Audio Class 1 and Class 2 audio transmission by default, therefore driver program installation is not needed.

Install the special driver program (only for Windows)

Please install the special driver program on the PC before connect the PC to this product.

1. Download and extract the special driver program "A300 USB Driver" in the following website:

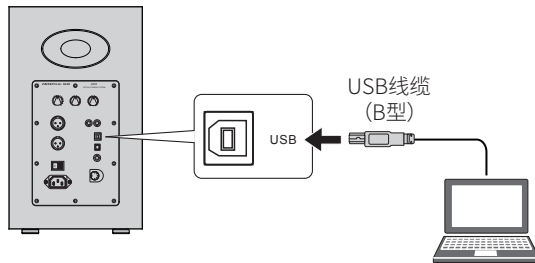
<http://www.airpulseaudio.com/service.html>

2. Install the driver program "A300 USB Driver" on the PC.
Please see the download page or the following link for driver details:
<https://www.xmos.com/support/usb-audio-driver-support>
3. After installation is complete, exit from all applications.

USB Input Mode

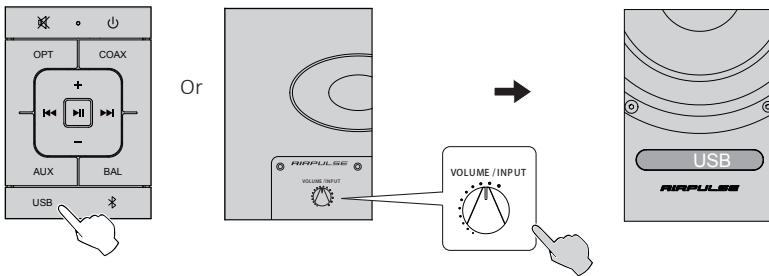
Connect PC to speakers

Connect PC (Windows user) installed with USB driver or Mac to the speakers using USB connecting cable.



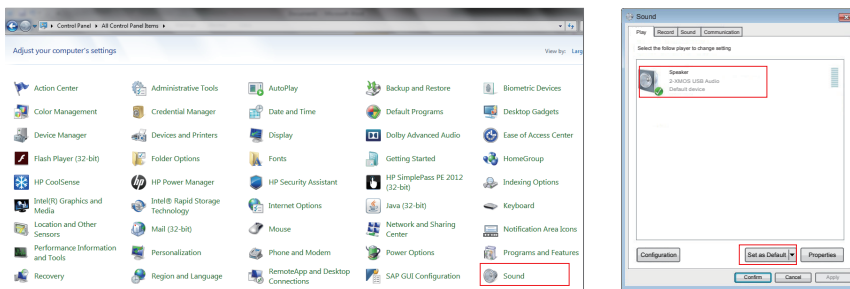
Set this product as the audio output device of PC

1. Press the "USB" button on the remote control or press the "VOLUME / INPUT" button on the rear panel of the active speaker to select USB input mode, LED indicator on the active speaker will display "USB".



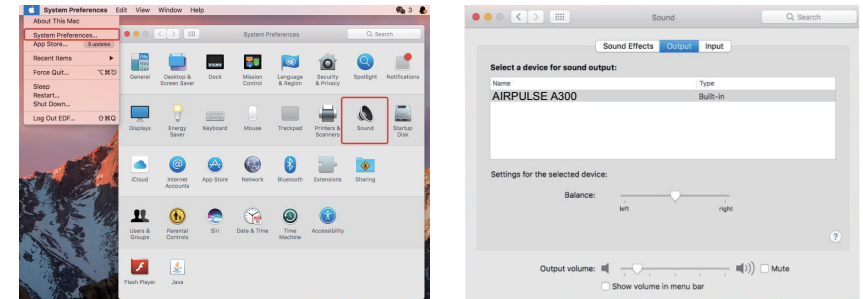
2. Set this product as the audio output device of PC

For Windows users, please open "Control panel" → "Sound" → "Play" → "Set as Default" Tab to set "X MOS USB Audio" as the current audio output device.



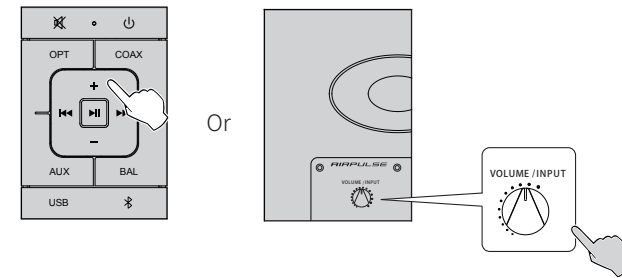
USB Input Mode

For Mac users, please open "System Preferences" → "Sound" → "Output" Tab to select "AIRPULSE A300" as the current audio output device.



Play music on the PC

1. Play music on the connected device, press the "+/-" button on the remote control or press the "VOLUME / INPUT" button on the rear panel of the active speaker to adjust volume to a desired level.



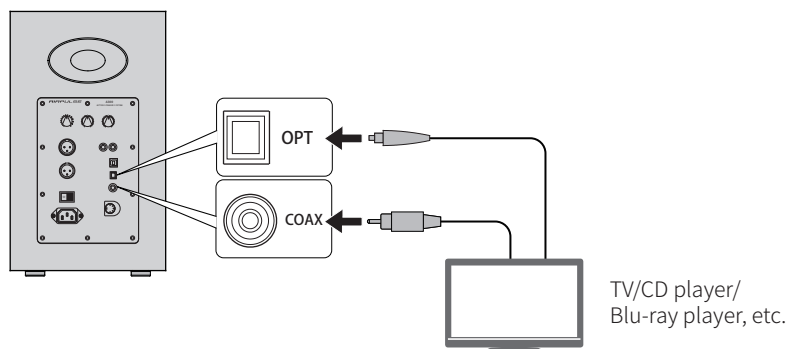
2. In USB mode, press the "◀/▶" button on the remote control can skip to previous / next track, and press the "⏸" button to pause/play songs.



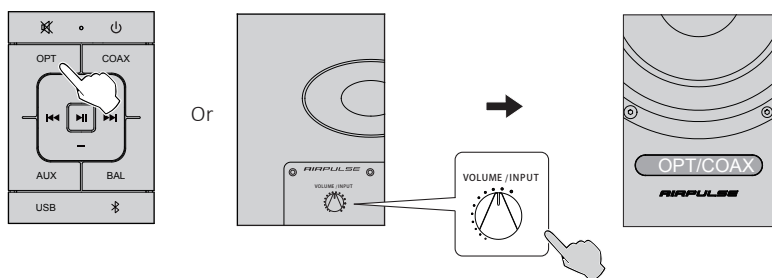
- * Playback control in USB input belongs to USB HID control. This control requires support of player software, and so there may be compatibility differences for different audio player software.
- * The USB driver of Mac operating system supports USB Audio Class 1 and Class 2 audio transmission in default, so it doesn't need to download the driver program.
- * Windows 7/ windows 10 operating system have self USB driver, only support USB Audio Class 1 type USB audio transmission (only support 2 channel audio signal, the highest sampling rate is 96KHz), The USB connecting chip of A300 uses USB Audio Class 2 type audio transmission to support 192KHz audio signal, so for Windows 7/ windows 10 operating system users, using the A300 speaker needs to download the special driver program.
- * As Microsoft Company had stopped maintaining the XP system, we can't provide the driver program with Microsoft digital signed.
- * If you need to buy USB A type to B type connecting cable, you can search and buy it on the various e-commerce platforms.

Optical/coaxial Input Mode

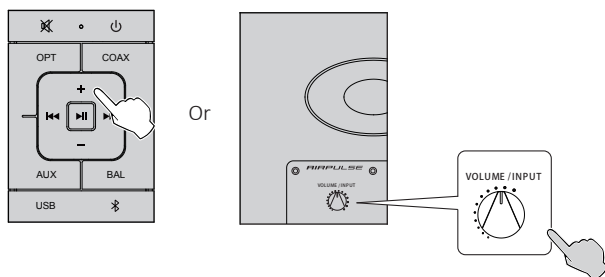
1. Connect this product to audio source device with optical/coaxial digital output port using fiber optic input audio cable/coaxial cable.



2. Press the "OPT/COAX" button on the remote control or press the "VOLUME / INPUT" button on the rear panel of the active speaker to select optical/coaxial input mode, LED indicator on the active speaker will display "OPT/COAX".



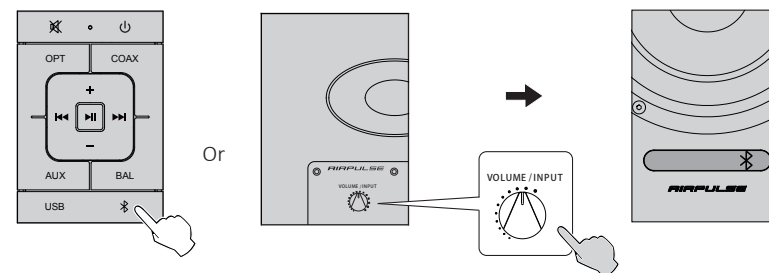
3. Play music on the connected device, press the "+/-" button on the remote control or press the "VOLUME / INPUT" button on the rear panel of the active speaker to adjust volume to a desired level.



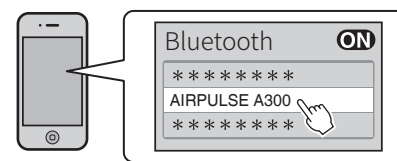
- * Only the standard PCM audio signals (44.1KHz/48KHz/96KHz/192KHz) function in optical/coaxial mode.
- * If the optical digital output of playback device is ACC like on a TV, switch it to PCM.

Bluetooth Input Mode

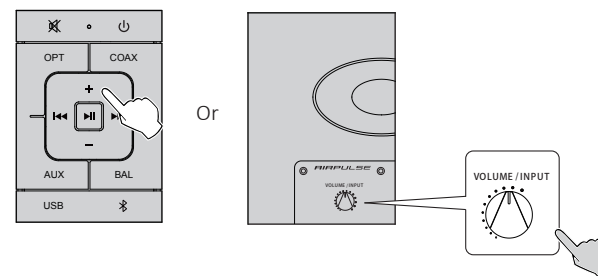
1. Press the "Bluetooth" button on the remote control or press the "VOLUME / INPUT" button on the rear panel of the active speaker to select Bluetooth input mode, LED indicator on the active speaker will display "Bluetooth".



2. Set your Bluetooth device to search for and connect to "AIRPULSE A300"; pin code for connection is "0000" if needed. Operations may be different between different devices, please refer to operational instructions included in the relevant device.



3. Play music on the connected Bluetooth device, press the "+/-" button on the remote control or press the "VOLUME / INPUT" button on the rear panel of the active speaker to adjust volume to a desired level.



4. In Bluetooth mode, press the "⏮/⏭" button on the remote control can skip to previous/next track, and press the "⏸" button to pause/play songs.



- * Effective connection distance is within 10 meters.
- * The Bluetooth on A300 can only be searched and connected in Bluetooth input. The existing Bluetooth connection will be disconnected once the speaker is switched into other audio inputs. When switched back to Bluetooth input, the speaker will try to connect to the last connected Bluetooth audio source device.
- * To disconnect Bluetooth, press and hold the "Bluetooth" button on the remote control for above 2 seconds.
- * To enjoy all Bluetooth functions please ensure your audio device has A2DP and AVRCP profiles.
- * Due to different software settings, there may be functions difference for some Bluetooth devices when connected to this product.

Specifications/statement

Tweeter: Horn Loaded Ribbon Tweeter
Mid-Woofer: 6.5inch Aluminum Cone Underhung Design Neodymium Power Mid-Woofer
Amplifier System: Digital Amplifier with Xmos Processor
Power Output: L/R (Treble):10W+10W,
 L/R (Woofer): 70W+70W
Frequency Range: 40Hz-40KHz
Signal-Noise Ratio: L/R: $\geq 90\text{dB(A)}$
Input Mode: AUX, Balance Input, USB, Optical, Coaxial, Bluetooth.
 The USB, Optical and Coaxial inputs support up to 192KHz input sample rate
Input Sensitivity: AUX: $700\pm 50\text{mV}$,
 Balance: $1150\pm 50\text{mV}$,
 USB: $550\pm 50\text{mFFs}$,
 Optical: $500\pm 50\text{mFFs}$
 Coaxial: $500\pm 50\text{mFFs}$,
 Bluetooth: $500\pm 50\text{mFFs}$
Treble Trimmer: 4KHz Shelf Filter $-6\text{dB} \sim +2.4\text{dB}$
Bass Trimmer: 95Hz Shelf Filter $-6\text{dB} \sim +6\text{dB}$
Mains Voltage: 100-240V AC 50/60Hz
Cabinet Size (WxHxD): 225 x 385 x 340 (mm)
Net Weight: 24 Kg (52.9 Pounds) / Set

NOTICE: For the need of technical improvement and system upgrade, information contained herein may be subject to change from time to time without prior notice.

Troubleshooting

Problem	Solution
No sound	<ul style="list-style-type: none"> • Check if the power indicator light is ON
	<ul style="list-style-type: none"> • Try to turn up the volume using either the master volume control or remote control.
	<ul style="list-style-type: none"> • Ensure the audio cables are firmly connected and the input is set correctly on the speakers.
	<ul style="list-style-type: none"> • Check if there is signal output from the audio source.
Cannot connect via Bluetooth	<ul style="list-style-type: none"> • Make sure the speaker is switched to Bluetooth input, in other audio input mode Bluetooth can not be paired or connected. Disconnect from any Bluetooth device by press andhold the volume dial in Bluetooth mode, and then try again.
	<ul style="list-style-type: none"> • Effective Bluetooth transmission range is 10 meters, please make sure operation is within the range.
	<ul style="list-style-type: none"> • Try another Bluetooth device for connection.
The A300 does not turn on	<ul style="list-style-type: none"> • Check if mains power is connected. or if the wall outlet is switched on.

If you want to find out more about AIRPULSE, please visit our website at www.airpulseaudio.com